



Comet



6870-PO3-WQ5M16S

Comet 321lm 50mm 3W MR16 WQ5

Sleek and stylish, that is U-Tron's Comet spot light. It has a very focussed beam that is excellent for product displays, reading lights, museums, and the list goes on and on.

Product Technical Data

General Informaion

Socket Type	MR16
Life Span	50000hr

Product Dimensions

Circular Diameter	50mm
Lamp Height	50mm

Light Characteristics

Efficacy	107lm/W
Beam Angle	60 D
CCT	3000K
Flux	321lm
Color Rendering Index	80

Ordering Information

Product Number	6870-PO3-WQ5M16S
Product Name	Comet Spotlight MR16
Product Ordering Name	Comet 321lm 3W MR16

Electrical Characteristics

Wattage	3W
Voltage	universal
Power Factor	0.937

Pieces Per Pack	1
Packs Per Carton	240
Net Weight Per Piece	130 Grams

Temperature

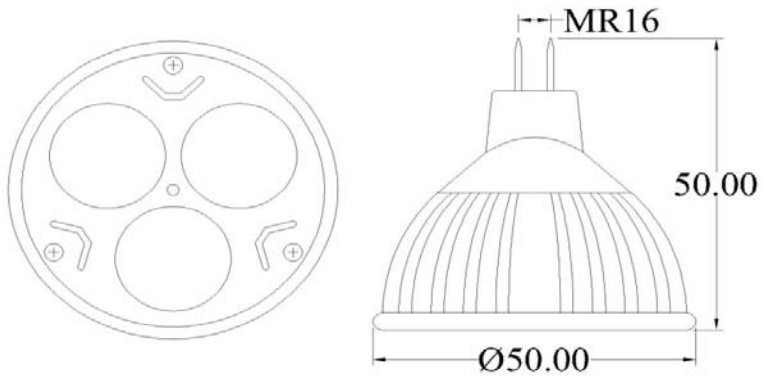
Operating Temp.	-30(min), 65(max)C
Storage	-40(min), 65(max)C

www.u-tron.com



Comet

Technical Drawing



©2012 U-Tron (Beijing) Electronics Co., LTD

All rights reserved

Specifications are subject to change without notice

15-Feb-12

data subject to change

www.u-tron.com

